

# ROGUE

OUTCAST  
2 BEAM

## User Manual



Model ID: ROGUEOUTCAST2BEAM

**CHAUVET**  
PROFESSIONAL

## **Edition Notes**

The Rogue Outcast 2 Beam User Manual includes a description, safety precautions, installation, programming, operation, and maintenance instructions for the Rogue Outcast 2 Beam.

## **Trademarks**

Chauvet, Chauvet Professional, the Chauvet logo, Rogue, Outcast, and Rogue Outcast are registered trademarks or trademarks of Chauvet & Sons, LLC (d/b/a Chauvet and Chauvet Lighting) in the United States and other countries. Other company and product names and logos referred to herein may be trademarks of their respective companies.

## **Copyright Notice**

The works of authorship contained in this manual, including, but not limited to, all designs, text, and images are owned by Chauvet.

© **Copyright 2023 Chauvet & Sons, LLC. All rights reserved.**

Electronically published by Chauvet in the United States of America.

## **Manual Use**

Chauvet authorizes its customers to download and print this manual for professional information purposes only. Chauvet expressly prohibits the usage, copy, storage, distribution, modification, or printing of this manual or its content for any other purpose without written consent from Chauvet.

## **Document Printing**

For best results, print this document in color, on letter size paper (8.5 x 11 in), double-sided. If using A4 paper (210 x 297 mm), configure the printer to scale the content accordingly.

## **Intended Audience**

Any person installing, operating, and/or maintaining this product should completely read through the guide that shipped with the product, as well as this manual, before installing, operating, or maintaining this product.

## **Disclaimer**

Chauvet believes that the information contained in this manual is accurate in all respects. However, Chauvet assumes no responsibility and specifically disclaims any and all liability to any party for any loss, damage or disruption caused by any errors or omissions in this document, whether such errors or omissions result from negligence, accident or any other cause. Chauvet reserves the right to revise the content of this document without any obligation to notify any person or company of such revision, however, Chauvet has no obligation to make, and does not commit to make, any such revisions. Download the latest version from [www.chauvetprofessional.com](http://www.chauvetprofessional.com)

## **Document Revision**

This is revision 3 of the Rogue Outcast 2 Beam User Manual. Go to [www.chauvetprofessional.com](http://www.chauvetprofessional.com) for the latest version.

## TABLE OF CONTENTS

<b>1. Before You Begin .....</b>	<b>3</b>
What Is Included .....	3
Claims .....	3
Manual Conventions .....	3
Symbols .....	3
Safety Notes.....	4
FCC Statement of Compliance .....	5
RF Exposure Warning for North America, and Australia.....	5
<b>2. Introduction .....</b>	<b>6</b>
Description .....	6
Features.....	6
Product Overview.....	6
Product Dimensions .....	7
<b>3. Setup .....</b>	<b>8</b>
AC Power .....	8
AC Plug .....	8
Fuse Replacement.....	8
DMX Linking.....	8
DMX Personalities.....	8
Remote Device Management.....	8
USB Software Update .....	9
Gobo Wheel .....	10
Color Wheel .....	10
Mounting .....	11
Orientation.....	11
Rigging .....	11
Procedure.....	11
Lamp Replacement.....	12
Procedure.....	12
Increasing the Lamp’s Life .....	13
<b>4. Operation .....</b>	<b>14</b>
Control Panel Operation.....	14
Programming.....	14
Control Panel Lock.....	14
Menu Map .....	15
Control Channel Assignments and Values.....	17
Address.....	20
Run Mode.....	20
DMX Personality .....	20
Auto Test.....	20
Manual Test .....	20
Setup.....	20
Pan Reverse .....	20
Tilt Reverse .....	20
Pan Angle.....	20
Tilt Angle .....	21
BL.O. P/T Move.....	21
BL.O. Color Move.....	21

BL.O. Gobo Move .....	21
Lamp Controls .....	21
Maintenance Timer .....	22
Reset Function .....	22
Factory Reset Function .....	23
System Information .....	23
<b>5. Maintenance</b> .....	<b>24</b>
Product Maintenance .....	24
Torque Measurements .....	24
Vacuum Test Measurements .....	24
<b>6. Technical Specifications</b> .....	<b>25</b>
<b>Contact Us</b> .....	<b>26</b>
Warranty & Returns.....	26

## Before You Begin

# 1. Before You Begin

## What Is Included

- Rogue Outcast 2 Beam
- Seetronic Powerkon IP65 power cable
- 2 Omega brackets with mounting hardware
- Quick Reference Guide

## Claims

Carefully unpack the product immediately and check the container to make sure all the parts are in the package and are in good condition.





If the box or the contents (the product and included accessories) appear damaged from shipping, or show signs of mishandling, notify the carrier immediately, not Chauvet. Failure to report damage to the carrier immediately may invalidate a claim. In addition, keep the box and contents for inspection.

For other issues, such as missing components or parts, damage not related to shipping, or concealed damage, file a claim with Chauvet within 7 days of delivery.

## Manual Conventions

Convention	Meaning
<b>1–512</b>	A range of values
<b>50/60</b>	A set of values of which only one can be chosen
<b>Settings</b>	A menu option not to be modified
<b>&lt;ENTER&gt;</b>	A key to be pressed on the product's control panel

## Symbols

Symbol	Meaning
	Critical installation, configuration, or operation information. Not following these instructions may make the product not work, cause damage to the product, or cause harm to the operator.
	Important installation or configuration information. The product may not function correctly if this information is not used.
	Useful information.
	<b>The term “DMX” used throughout this manual refers to the USITT DMX512-A digital data transmission protocol.</b>

## Safety Notes

Read all the following safety notes before working with this product. These notes contain important information about the installation, usage, and maintenance of this product.



**This product contains no user-serviceable parts. Any reference to servicing in this User Manual will only apply to properly trained, certified technicians. Do not open the housing or attempt any repairs.**



**All applicable local codes and regulations apply to proper installation of this product.**

- The luminaire is intended for professional use only.
- If the external flexible cable or cord of this luminaire is damaged, it shall be replaced by a special cord or cord exclusively available from the manufacturer or its service agent.
- The light source contained in this luminaire shall only be replaced by the manufacturer or its service agent or a similar qualified person.
- **CAUTION:**
  - This product's housing may be hot when operating. Mount this product in a location with adequate ventilation, at least 20 in (50 cm) from adjacent surfaces.
  - When transferring the product from extreme temperature environments, (e.g., cold truck to warm humid ballroom) condensation may form on the internal electronics of the product. To avoid causing a failure, allow the product to fully acclimate to the surrounding environment before connecting it to power.
  - Flashing light is known to trigger epileptic seizures. User must comply with local laws regarding notification of strobe use.
- **ALWAYS:**
  - Disconnect from power before cleaning the product or replacing the fuse.
  - When using an IP65-rated product in an outdoor environment, use IP65- (or higher) rated power and data cable.
  - Replace and secure IP-rated protective covers to all power, data, USB, or other ports when not in use.
  - Replace the fuse with the same type and rating.
  - Use a safety cable when mounting this product overhead.
  - Connect this product to a grounded and protected circuit.
- **DO NOT:**
  - Open this product. It contains no user-serviceable parts.
  - Look at the light source when the product is on.
  - Leave any flammable material within 20 cm of this product while operating or connected to power.
  - Connect this product to a dimmer or rheostat.
  - Operate this product if the housing, lenses, or cables appear damaged.
  - Submerge this product (adhere to standards for the published IP rating). Regular outdoor operation is fine.
  - Permanently install outdoors in locations with extreme environmental conditions. This includes, but is not limited to:
    - Exposure to a marine/saline environment (within 3 miles of a saltwater body of water).
    - Locations where normal temperatures exceed the temperature ranges in this manual.
    - Locations that are prone to flooding or being buried in snow.
    - Other areas where the product will be subject to extreme radiation or caustic substances.
- **ONLY** use the handles or the hanging/mounting brackets to carry this product.
- The maximum ambient temperature is 113 °F (45 °C). Do not operate this product at higher temperatures.
- The minimum startup temperature is -4°F (-20°C). Do not start the product at lower temperatures.
- The minimum ambient temperature is 14°F (-10°C). Do not operate the product at lower temperatures.
- To eliminate unnecessary wear and improve its lifespan, during periods of non-use completely disconnect the product from power via breaker or by unplugging it.
- In the event of a serious operating problem, stop using immediately.



**If a Chauvet product requires service, contact Chauvet Technical Support.**

## Before You Begin

---

### FCC Statement of Compliance

This device complies with Part 15 Part B of the FCC rules. Operation is subject to the following two conditions:

1. This device may not cause harmful interference, and
2. This device must accept any interference received, including interference that may cause undesired operation.

This equipment has been tested and found to comply with the limits for a Class B digital device, pursuant to Part 15 of the FCC Rules. These limits are designed to provide reasonable protection against harmful interference in a residential installation. This equipment generates uses and can radiate radio frequency energy and, if not installed and used in accordance with the instructions, may cause harmful interference to radio communications. However, there is no guarantee that interference will not occur in a particular installation. If this equipment does cause harmful interference to radio or television reception, which can be determined by turning the equipment off and on, the user is encouraged to try to correct the interference by one or more of the following measures:

- Reorient or relocate the receiving antenna.
- Increase the separation between the equipment and receiver.
- Connect the equipment into an outlet on a circuit different from that to which the receiver is connected.
- Consult the dealer or an experienced radio/TV technician for help.

Any changes or modifications not expressly approved by the party responsible for compliance could void the user's authority to operate the equipment.

### RF Exposure Warning for North America, and Australia

**Warning!** This equipment complies with FCC radiation exposure limits set forth for an uncontrolled environment. This equipment should be installed and operated with a minimum distance of 20cm between the radiator and the user. This transmitter must not be co-located or operating in conjunction with any other antenna or transmitter.

## 2. Introduction

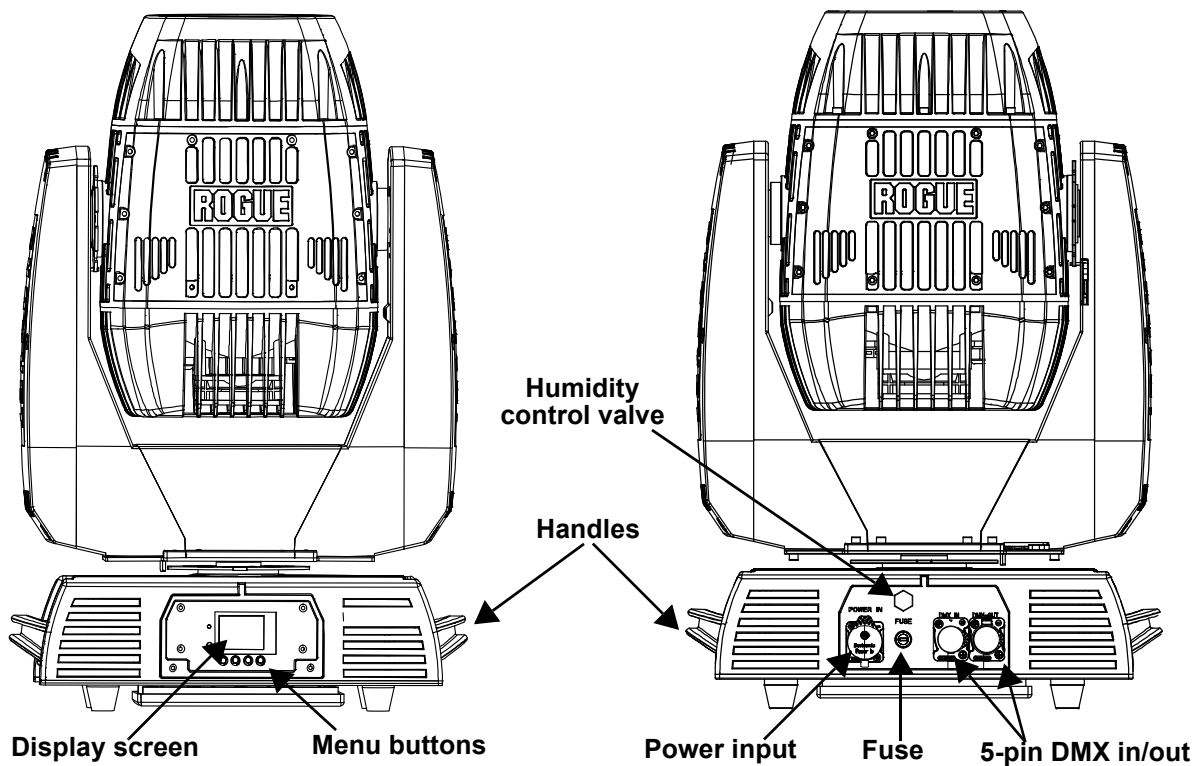
### Description

The Rogue Outcast 2 Beam is an IP65 moving head that outputs an intensely bright 300 W beam, individually controllable color wheel for solid and split hues. The outdoor-ready unit raises the bar in dynamic effect options with its ability to focus down to a pencil-thin 1° beam for tight aerials, overlapping 8- and 5-facet prisms, frost for even light distribution, and 17 static gobos for even more creative options. Control is over DMX and RDM.

### Features

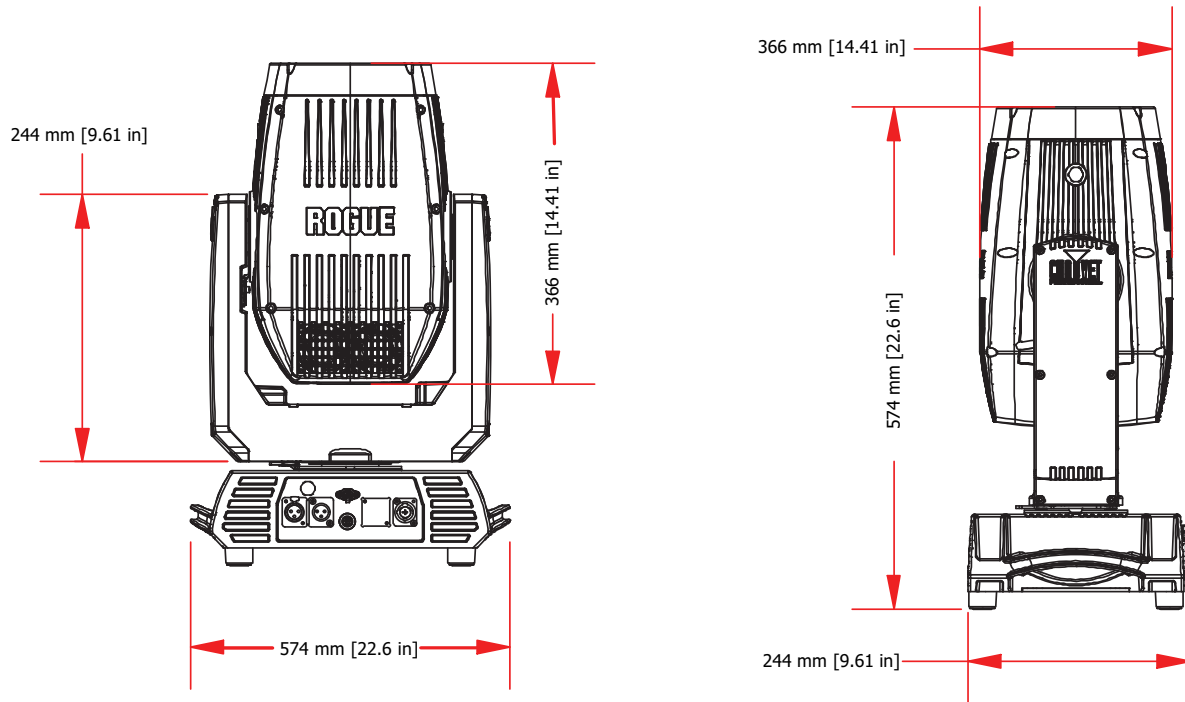
- Fully featured, IP65-rated, high-powered Spot/Beam/Wash combination fixture with an USHIO 300 W with 8,000 hour life expectancy lamp, one gobo wheel, two-layer prisms, precision focus, and lightweight aluminum/magnesium housing.
- Fast and precise movement of pan and tilt functions
- Individually controllable and layerable 8- and 5-facet prisms
- Frost for even light distribution
- Tight 0.8° narrow beam for focused air effects and no field spill
- 17 static gobos for massive visual effect
- DMX and RDM protocol control
- True 1-compatible power input
- Easy to read OLED display with simple, effective menu options
- Simple and complex DMX channel profiles for programming versatility
- USB-C port for uploading software

### Product Overview





Product Dimensions



### 3. Setup

#### AC Power

Each Rogue Outcast 2 Beam has an auto-ranging power supply that works with an input voltage range of 100 to 240 VAC, 50/60 Hz. To determine the product's power requirements (circuit breaker, power outlet, and wiring), use the current value listed on the label affixed to the product's back panel, or refer to the product's specifications chart. The listed current rating indicates the product's average current draw under normal conditions.

The listed current rating indicates the maximum current draw during normal operation. For more information, download Sizing Circuit Breakers from the Chauvet website: [www.chauvetprofessional.com](http://www.chauvetprofessional.com).



- **Always connect the product to a protected circuit (a circuit breaker or fuse). Make sure the product has an appropriate electrical ground to avoid the risk of electrocution or fire.**
- **To eliminate unnecessary wear and improve its lifespan, during periods of non-use completely disconnect the product from power via breaker or by unplugging it.**



**Never connect the product to a rheostat (variable resistor) or dimmer circuit, even if the rheostat or dimmer channel serves only as a 0 to 100% switch.**

#### AC Plug

The Rogue Outcast 2 Beam comes with a power input cord terminated with a Seetronic Powerkon IP65 connector on one end and an Edison plug on the other end (U.S. market). If the power input cord that came with the product has no plug, or if the plug needs to be changed, use the table below to wire the new plug.

Connection	Wire (U.S.)	Wire (Europe)	Screw Color
AC Live	Black	Brown	Yellow or Brass
AC Neutral	White	Blue	Silver
AC Ground	Green/Yellow	Green/Yellow	Green

#### Fuse Replacement

1. Disconnect this product from the power outlet.
2. Using a flat-head screwdriver, unscrew the fuse holder cap from the housing.
3. Remove the blown fuse and replace with another fuse of the same type and rating (T 5 A, 250 V).
4. Screw the fuse holder cap back in place and reconnect power.



**Make sure to disconnect the product's power cord before replacing a blown fuse. Always replace the blown fuse with another of the same type and rating.**

#### DMX Linking

The Rogue Outcast 2 Beam can be linked to a DMX controller using a 5-pin DMX connection. If using other DMX-compatible products with this product, each can be controlled individually with a single DMX controller.

#### DMX Personalities

The Rogue Outcast 2 Beam uses a 5-pin DMX data connection for the 20- and 25-channel DMX personalities.

- Refer to the [Introduction](#) for a brief description of each DMX personality.
- Refer to the [Operation](#) chapter to learn how to configure the Rogue Outcast 2 Beam to work in these personalities.
- The [DMX Values](#) section provides detailed information regarding the DMX personalities.

#### Remote Device Management

Remote Device Management, or RDM, is a standard for allowing DMX-enabled devices to communicate bi-directionally along existing DMX cabling. Check the DMX controller's User Manual or with the manufacturer, as not all DMX controllers have this capability. The Rogue Outcast 2 Beam supports RDM protocol that allows feedback to make changes to menu map options.

## USB Software Update

The Rogue Outcast 2 Beam allows for software update through USB using the built-in USB port. To update the software using a USB type C flash drive, do the following:

1. Power on the fixture and plug the flash drive into the USB port.
2. Once the flash drive has been detected, the message “**USB UPDATE**” will be displayed. Select **YES**.
3. The next screen will show the software versions available for this fixture on the USB drive. For multiple versions of the software for the same fixture, use <UP> or <DOWN> to select the desired version. Press <ENTER>.
4. The “**USB UPDATE**” screen will re-appear. Select <YES>
5. The upgrade will start. **DO NOT** turn off the power or disconnect the USB while the USB LED is still blinking during the process. The screen display will read: “**USB UPDATE WAIT**”. USB update can take several minutes to complete.



**When the USB stops blinking, all the motors will power down and the display will go blank. DO NOT turn off the power. The fixture will automatically reboot when the update is done.**

6. Go to the Fixture Information on the product's menu map and confirm the firmware revision
7. When the boot-up process is finished, restart the product.



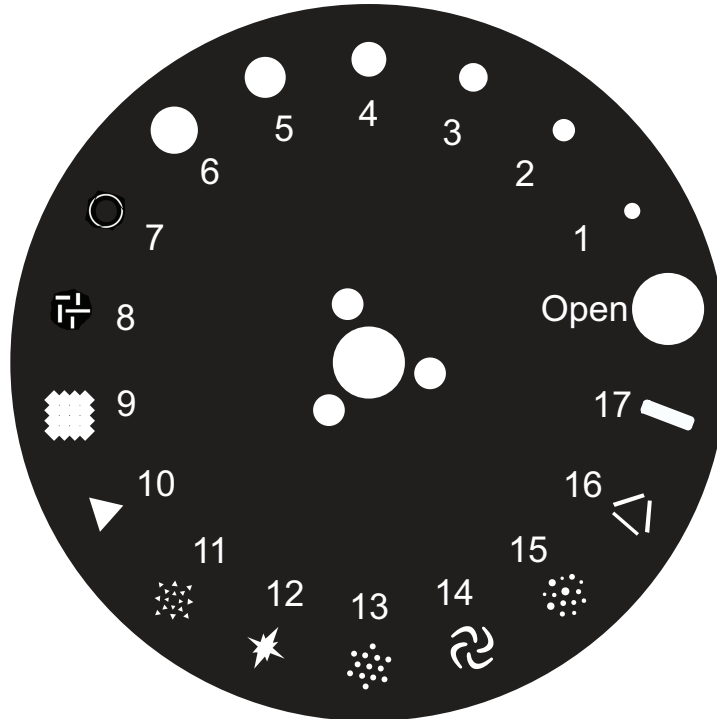
- Place the .chl file in the root directory of the USB drive.
- The product's USB port supports up to 32GB capacity and only works with FAT32 file format.



**Turning off the power or removing the USB while still blinking during the update will cause partial or total firmware failure in the targeted fixture(s). If this occurs, the user will need the UPLOAD 08 device to fix this. Please contact Chauvet regarding this device.**

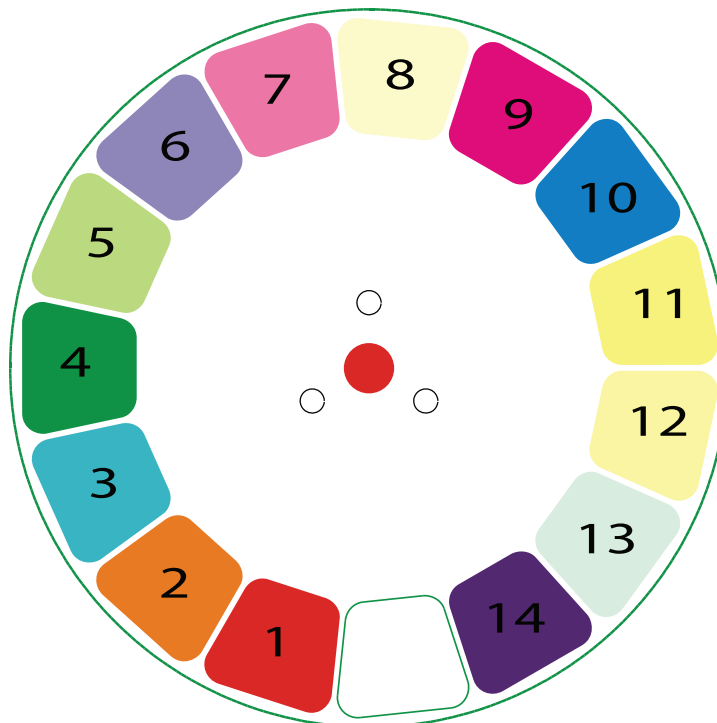
### Gobo Wheel

The Rogue Outcast 2 Beam includes one gobo wheel with 17 fixed gobos plus open. The diagram shows the gobo number on the wheel as numbered in the [Control Channel Assignments and Values](#) tables.



### Color Wheel

The Rogue Outcast 2 Beam includes one color wheel with 14 fixed colors plus open (white), as indicated below. The diagram shows the color number on the wheel, as numbered in the [Control Channel Assignments and Values](#) tables.



## Setup

### Mounting

Before mounting the product, read and follow the safety recommendations indicated in the [Safety Notes](#). For our Chauvet Professional line of mounting clamps, go to <http://trusst.com/products/>.

### Orientation

Always mount this product in a safe position, making sure there is adequate room for ventilation, configuration, and maintenance.

### Rigging

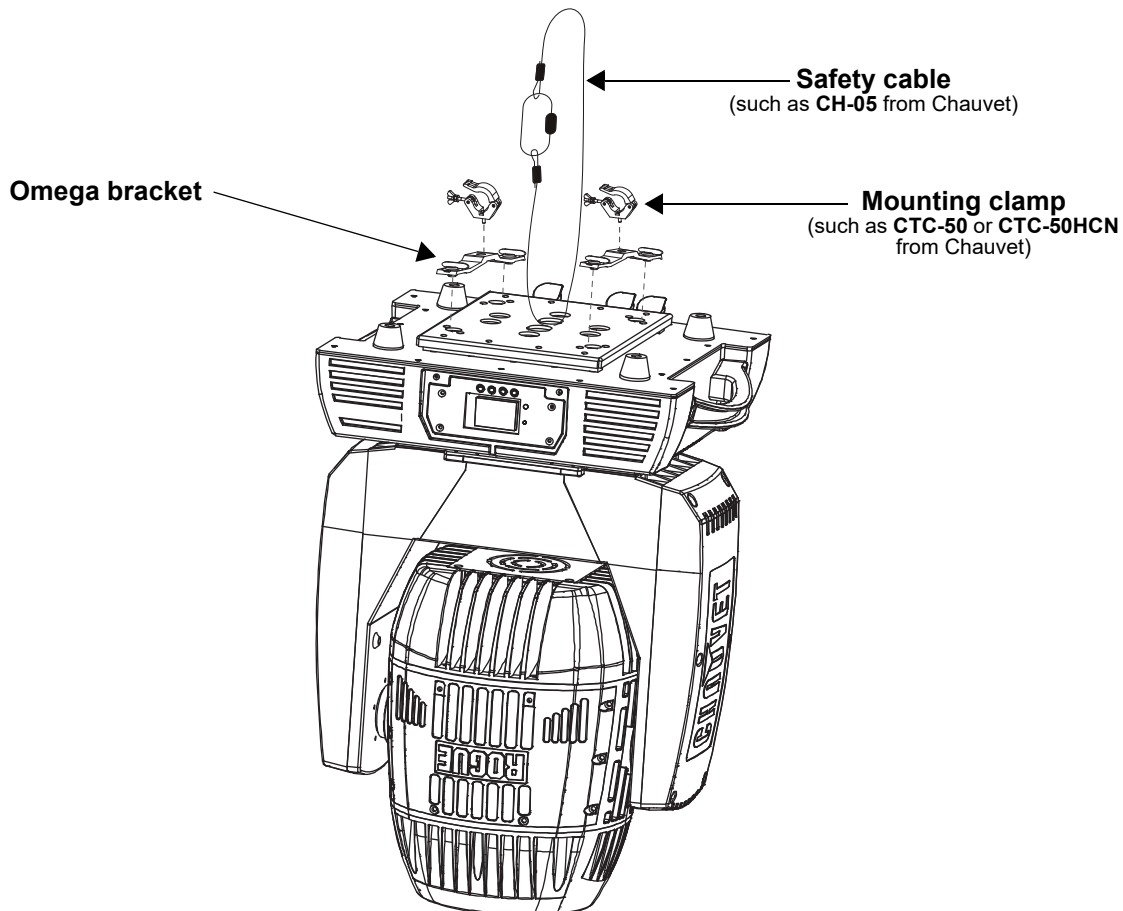
Chauvet recommends using the following general guidelines when mounting this product.

- Before deciding on a location for the product, make sure there is easy access to the product for maintenance and programming purposes.
- Make sure that the structure and attachment points can support the weight before hanging the product (see the [Technical Specifications](#) for weight information).
- When mounting the product overhead, always use a safety cable. Mount the product securely to a rigging point, whether an elevated platform or a truss.
- When rigging the product onto a truss, use a mounting clamp of appropriate weight capacity.
- When power linking multiple products, mount the products close enough for power linking cables to reach.
- The bracket adjustment knobs allow for directional adjustment when aiming the product to the desired angle. Only loosen or tighten the bracket knobs manually. Using tools could damage the knobs.

### Procedure

The Rogue Outcast 2 Beam comes with 2 omega brackets to which mounting clamps (sold separately) can be directly attached. Make sure the clamps are capable of supporting the weight of this product. Use at least two mounting points per product. For the Chauvet Professional line of mounting clamps, go to <http://www.trusst.com/products>

### Mounting Diagram



## Lamp Replacement

The Rogue Outcast 2 Beam is equipped with an USHIO NSL 300 W lamp. Follow the procedure below to safely change the lamp.



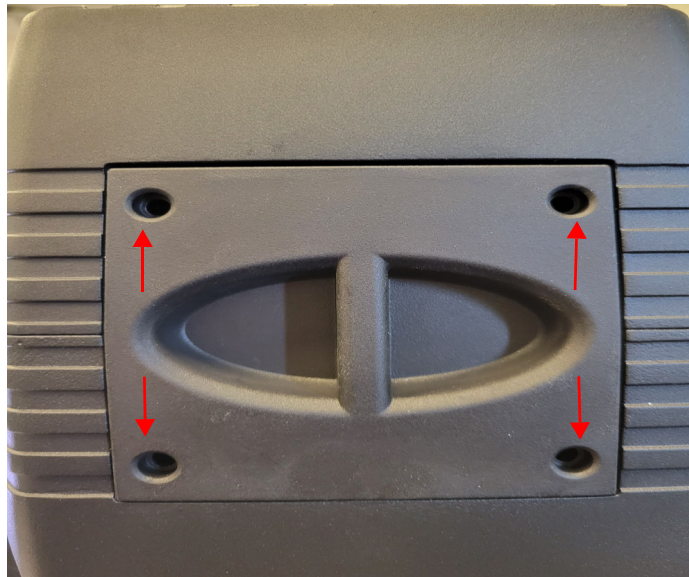
**Disconnect the product from power before opening.**

### Procedure

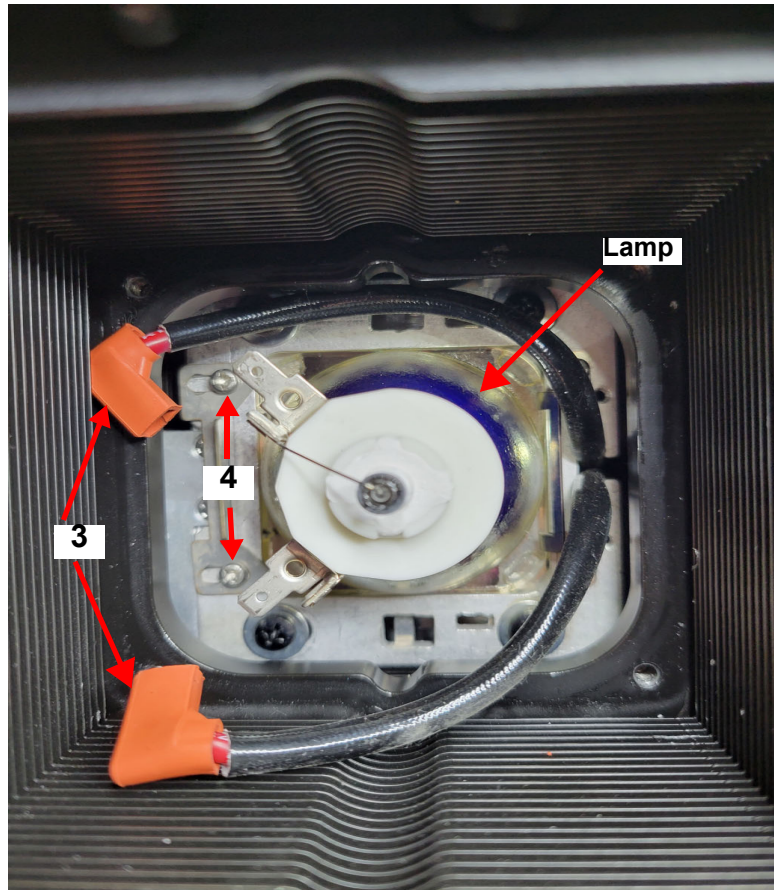
1. Turn the product off and disconnect it from power. Wait at least 15 minutes for the lamp to cool down. Orient the bottom of the moving head so that the fan is facing upward.



2. Remove the bottom head cover by removing 4 (3 mm) Allen key screws. Remove the rubber gasket, and detach the fan cable. The 4 Allen key screws are captive.



3. Remove the two power cables from the lamp.
4. Loosen the two Phillips on mechanism to get enough space to angle the lamp out.



- Reverse the steps above to install the new lamp. Do not touch the glass with bare hands.



**Do not turn the product on without a lamp!**



**Make sure cables are hidden on the back of the fixture.**

### Increasing the Lamp's Life

- ALWAYS turn the lamp off by using the DMX controller or the product's control panel, then wait at least 5 minutes before switching off the product. This will keep the fans running to extract any remaining heat from the product's head.
- DO NOT power cycle the product unless it is necessary.
- DO NOT re-strike the lamp immediately after turning it off. Chauvet recommends waiting 5 minutes before trying to re-strike the lamp.
- DO NOT touch the lamp without wearing gloves to avoid leaving grease on the bulb or on the contacts that could reduce the lamp's life.
- ALWAYS change the lamp when it has reached its recommended lifespan to avoid the risk of lamp explosion.



## 4. Operation

### Control Panel Operation

Button	Function
<MENU>	Exits from the current menu or function
<ENTER>	Enables the currently displayed menu or sets the currently selected value in to the current function
<UP>	Navigates upward through the menu list or increases the numeric value when in a function
<DOWN>	Navigates downward through the menu list or decreases the numeric value when in a function

### Programming

Refer to the Menu Map to understand the menu options. The menu map shows the main level and a variable number of programming levels for each option.

- To go to the desired main level, press **<MENU>** repeatedly until the option shows on the display. Press **<ENTER>** to select. This will take the user to the first programming level for that option.
- To select an option or value within the current programming level, press **<UP>** or **<DOWN>** until the option shows on the display. Press **<ENTER>** to select. In this case, if there is another programming level, the user will see that first option, or the user will see the selected value.
- Press **<MENU>** repeatedly to exit to the previous main level.

### Control Panel Lock

This setting enables the user to activate or disable the control panel lock, which keeps unauthorized users from changing the product's settings.

1. Go to the **Key Lock** main level.
2. Select **ON** or **OFF**.



The product will prompt for a passcode to access the product's main programming level when the control panel lock is activated. Enter the following passcode: **<UP>, <DOWN>, <UP>, <DOWN>, <ENTER>**



## Menu Map

Refer to the Rogue Outcast 2 Beam product page on [www.chauvetprofessional.com](http://www.chauvetprofessional.com) for the latest menu map.

Main Level	Programming Levels		Description	
Address	001–497		Sets the starting address	
Run Mode	DMX	16CH	Selects the DMX personality	
		18CH		
	Auto Test		Auto test all functions	
	Manual Test	Pan	0–255	Manually control and test all settings through the control panel
		Pan Fine		
		Tilt		
		Tilt Fine		
		P/T Speed		
		Dimmer		
		Dimmer Fine		
		Shutter		
		Color		
		Gobo		
		Prism1		
		Prism1 Rotate		
		Prism2		
		Prism2 Rotate		
Focus				
Frost				
P/T Macro				
P/T Ma. Speed				
Special Function				
Setup	Pan Reverse	YES	Reversed pan	
		NO	Normal pan	
	Tilt Reverse	YES	Reversed tilt	
		NO	Normal tilt	
	Screen Reverse	YES	Inverted screen display	
		NO	Normal screen display	
		AUTO	Automatic screen display	
	Pan Angle	540	540° pan range	
		360	360° pan range	
		180	180° pan range	
	Tilt Angle	270	270° tilt range	
		180	180° tilt range	
		90	90° tilt range	
BL. O. P/T Move	YES	Blackout while panning/tilting		
	NO	Disable blackout while panning/tilting		
BL. O. Color Move	YES	Blackout while color wheel is moving		
	NO	Disable blackout while color wheel is moving		
BL. O. Gobo Move	YES	Blackout while gobo wheels are moving		
	NO	Disable blackout while gobo wheels are moving		

Main Level	Programming Levels		Description		
Setup (cont.)	Lamp Settings	On/Off	ON OFF	Turns lamp on/off	
		State/ Power On	ON OFF	Defines the status of lamp when powering up product	
		Off via DMX	YES NO	Turns off the unit via DMX controller	
		On if DMX On	YES NO	Turns lamp on when DMX signal is detected	
		Off if DMX Off	YES NO	Turns lamp off when DMX signal is lost	
		Ignition Delay	0–255	Selects duration of delay between product power on and lamp power on	
		Low Power Delay	0–255	Selects the duration of delay when shutter is closed and lamp enters lower power state	
		Reset Lamp Time	YES NO	Resets lamp timer to 0 Leaves lamp time unchanged	
	Maintenance Timer	Interval	000–250	Defines amount of hours between maintenance	
		Remain Time	NO RESET	Resets amount of time remaining in maintenance cycle	
	Reset Function	Pan/Tilt	YES/NO	Reset individual functions or all functions from start-up	
		Shutter/ Prism			
		Color			
		Gobo			
		Frost/ Focus			
	Factory Settings	YES NO		Reset to factory default settings	
	Sys Info	System Information	Ver	V_	Shows firmware version
			Running Mode	---	Shows current running mode
			DMX Address	---	Shows current DMX address
Temperature			---	Displays the product's temperature in °C	
Lamp On Time			----	Displays the amount of time the lamp has been on (provided the counter has been reset upon installation of new lamp)	
Remain Time			-----	Shows amount of time remaining in maintenance cycle	
UID			-----	Shows product UID	
Fan1 Speed			-----	Shows speed of Fan 1	
Fan2 Speed			-----	Shows speed of Fan 2	

## Operation

### Control Channel Assignments and Values

16Ch	19Ch	Function	Value	Percent/Setting
1	1	Pan	000 ⇔ 255	0–100%
2	2	Pan fine	000 ⇔ 255	Fine control (16-bit)
3	3	Tilt	000 ⇔ 255	0–100%
4	4	Tilt fine	000 ⇔ 255	Fine control (16-bit)
5	5	Pan/tilt speed	000 ⇔ 255	Fast to slow
6	6	Dimmer	000 ⇔ 255	0–100%
–	7	Dimmer fine	000 ⇔ 255	Fine control (16-bit)
7	8	Strobe	000 ⇔ 007	Off
			008 ⇔ 015	On
			016 ⇔ 131	Synchronized strobe, slow to fast
			132 ⇔ 167	Fast off, slow on (slow to fast)
			168 ⇔ 203	Slow off, fast on (slow to fast)
			204 ⇔ 239	Pulse strobe, slow to fast
			240 ⇔ 250	Random strobe, slow to fast
			251 ⇔ 255	On
8	9	Color wheel	000 ⇔ 004	Open
			005 ⇔ 008	Red
			009 ⇔ 012	Orange
			013 ⇔ 016	Cyan
			017 ⇔ 020	Light green
			021 ⇔ 024	Light yellow
			025 ⇔ 028	Lavender
			029 ⇔ 032	Pink
			033 ⇔ 036	Yellow
			037 ⇔ 040	Magenta
			041 ⇔ 044	Light blue
			045 ⇔ 048	Amber
			049 ⇔ 052	CTO 5600K
			053 ⇔ 056	CTO 6500K
			057 ⇔ 060	UV
			061 ⇔ 127	Split colors
			128 ⇔ 189	Clockwise color scroll, fast to slow
190 ⇔ 193	Stop			
194 ⇔ 255	Counterclockwise color scroll, slow to fast			

16Ch	19Ch	Function	Value	Percent/Setting
9	10	Static gobo wheel (see <a href="#">Gobos</a> )	000 ⇔ 003	Open
			004 ⇔ 006	Gobo 1
			007 ⇔ 009	Gobo 2
			010 ⇔ 012	Gobo 3
			013 ⇔ 015	Gobo 4
			016 ⇔ 018	Gobo 5
			019 ⇔ 021	Gobo 6
			022 ⇔ 024	Gobo 7
			025 ⇔ 027	Gobo 8
			028 ⇔ 030	Gobo 9
			031 ⇔ 033	Gobo 10
			034 ⇔ 036	Gobo 11
			037 ⇔ 039	Gobo 12
			040 ⇔ 042	Gobo 13
			043 ⇔ 045	Gobo 14
			046 ⇔ 048	Gobo 15
			049 ⇔ 051	Gobo 16
			052 ⇔ 055	Gobo 17
			056 ⇔ 059	Open
			060 ⇔ 063	Gobo 1 shaking, slow to fast
			064 ⇔ 067	Gobo 2 shaking, slow to fast
			068 ⇔ 071	Gobo 3 shaking, slow to fast
			072 ⇔ 075	Gobo 4 shaking, slow to fast
			076 ⇔ 079	Gobo 5 shaking, slow to fast
			080 ⇔ 083	Gobo 6 shaking, slow to fast
			084 ⇔ 087	Gobo 7 shaking, slow to fast
			088 ⇔ 091	Gobo 8 shaking, slow to fast
			092 ⇔ 095	Gobo 9 shaking, slow to fast
096 ⇔ 099	Gobo 10 shaking, slow to fast			
100 ⇔ 103	Gobo 11 shaking, slow to fast			
104 ⇔ 107	Gobo 12 shaking, slow to fast			
108 ⇔ 111	Gobo 13 shaking, slow to fast			
112 ⇔ 115	Gobo 14 shaking, slow to fast			
116 ⇔ 119	Gobo 15 shaking, slow to fast			
120 ⇔ 123	Gobo 16 shaking, slow to fast			
124 ⇔ 127	Gobo 17 shaking, slow to fast			
128 ⇔ 189	Clockwise gobo scroll, fast to slow			
190 ⇔ 193	Stop			
194 ⇔ 255	Counterclockwise gobo scroll, slow to fast			
10	11	Prism 1	000 ⇔ 004	No function
			005 ⇔ 255	Prism insert
11	12	Rotating prism 1	000 ⇔ 127	Prism index
			128 ⇔ 189	Clockwise rotation, fast to slow
			190 ⇔ 193	Stop
			194 ⇔ 255	Counterclockwise rotation, slow to fast
12	13	Prism 2	000 ⇔ 004	No function
			005 ⇔ 255	Prism index
13	14	Rotating prism 2	000 ⇔ 127	Prism index
			128 ⇔ 189	Clockwise rotation, fast to slow
			190 ⇔ 193	Stop
			194 ⇔ 255	Counterclockwise rotation, slow to fast
14	15	Frost	000 ⇔ 255	0–100%
15	16	Focus	000 ⇔ 255	0–100%

16Ch	19Ch	Function	Value	Percent/Setting
-	17	Movement macros	000 ⇔ 007	No function
			008 ⇔ 015	Effect 1
			016 ⇔ 023	Effect 2
			024 ⇔ 031	Effect 3
			032 ⇔ 039	Effect 4
			040 ⇔ 047	Effect 5
			048 ⇔ 055	Effect 6
			056 ⇔ 063	Effect 7
			064 ⇔ 071	Effect 8
			072 ⇔ 079	Effect 9
			080 ⇔ 087	Effect 10
			088 ⇔ 095	Effect 11
			096 ⇔ 103	Effect 12
			104 ⇔ 111	Effect 13
			112 ⇔ 119	Effect 14
			120 ⇔ 127	Effect 15
			128 ⇔ 135	Effect 16
			136 ⇔ 143	Effect 17
			144 ⇔ 151	Effect 18
			152 ⇔ 159	Effect 19
			160 ⇔ 167	Effect 20
			168 ⇔ 175	Effect 21
			176 ⇔ 183	Effect 22
			184 ⇔ 191	Effect 23
			192 ⇔ 199	Effect 24
			200 ⇔ 207	Effect 25
			208 ⇔ 215	Effect 26
			216 ⇔ 223	Effect 27
			224 ⇔ 231	Effect 28
			232 ⇔ 239	Effect 29
			240 ⇔ 247	Effect 30
248 ⇔ 255	Effect 31			
-	18	Movement macro speed	000 ⇔ 255	Fast to slow
16	19	Control	000 ⇔ 069	No function
			070 ⇔ 079	Blackout during pan/tilt (3 sec hold)
			080 ⇔ 089	Disable pan/tilt blackout (3 sec hold)
			090 ⇔ 099	Blackout while color wheel is moving (3 sec hold)
			100 ⇔ 109	Disable color wheel blackout (3 sec hold)
			110 ⇔ 119	Blackout while gobo wheels are moving (3 sec hold)
			120 ⇔ 129	Disable gobo wheel blackout (3 sec hold)
			130 ⇔ 139	Lamp on
			140 ⇔ 149	Pan/tilt reset
			150 ⇔ 159	Color wheel reset
			160 ⇔ 169	Gobo wheel reset
			170 ⇔ 179	Strobe/prism reset
			180 ⇔ 189	No function
			190 ⇔ 199	Focus reset
			200 ⇔ 209	All reset
			210 ⇔ 219	Blackout all function
			220 ⇔ 229	Disable blackout all function
230 ⇔ 239	Lamp off			
240 ⇔ 255	No function			

## Address

This programming level sets the DMX starting address. In this mode, each product will respond to a unique starting address from the DMX controller. All products with the same starting address will respond in unison. This option sets the products DMX address.

1. Starting from the Main Level screen, select **Address**, press **<ENTER>**.
2. Select the starting address (**001–497**), press **<ENTER>**.

## Run Mode

This programming level sets the DMX personality and controls the different test modes.

1. Start from the Main Level screen.
2. Select **Run Mode**, press **<ENTER>**.

## DMX Personality

This setting allows the user to choose a particular DMX personality.

1. Highlight **DMX**, press **<ENTER>**.
2. Select the DMX personality **16CH** or **18CH**, then press **<ENTER>**.



**Make sure that the starting addresses on the various products do not overlap due to the new personality setting.**

## Auto Test

This option runs every attribute individually through one cycle.

- Highlight **Auto Test**, press **<ENTER>**.



**The Auto Test will end after one full cycle. The user can stop the test by pressing <MENU> at any time.**

## Manual Test

This option allows each attribute to run individually or as a group.

1. Highlight **Manual Test**, press **<ENTER>**.
2. Highlight the desired attribute listed on the control panel screen, press **<ENTER>**.
3. Set the attribute value (**000–255**), press **<ENTER>**.
4. Repeat step 2 for the other attributes.



**When exiting the Manual Test level, the values of all tested channels will revert to zero.**

## Setup

This programming level controls the product's head movement, display, dimming, lamp settings, and maintenance adjustments.

1. Start from the Main Level screen.
2. Select **Setup**, press **<ENTER>**.

## Pan Reverse

Reverses the operation of the pan attribute.

1. Highlight **Pan Reverse**, press **<ENTER>**.
2. Select **YES** (reverse pan) or **NO** (normal pan), press **<ENTER>**.

## Tilt Reverse

Reverses the operation of the tilt attribute.

1. Highlight **Tilt Reverse**, press **<ENTER>**.
2. Select **YES** (reverse tilt) or **NO** (normal tilt), press **<ENTER>**.

## Pan Angle

This option assigns pan range.

1. Highlight **Pan Angle**, press **<ENTER>**.
2. Select **540**, **360**, or **180**, press **<ENTER>**.

## Operation

---

### Tilt Angle

This option assigns tilt range.

1. Highlight **Tilt Angle**, press <ENTER>.
2. Select **90**, **180**, or **270**, press <ENTER>.

### BL.O. P/T Move

Enables/disables blackout on pan/tilt move.

1. Highlight **BL.O.P/T Move**, press <ENTER>.
2. Select **YES** (blackout while panning/tilting) or **NO** (disable blackout while panning/tilting), press <ENTER>.

### BL.O. Color Move

Enables/disables blackout on color wheel move.

1. Highlight **BL.O.Color Move**, press <ENTER>.
2. Select **YES** (blackout while color wheel is moving) or **NO** (disable blackout while color wheel is moving), press <ENTER>.

### BL.O. Gobo Move

Enables/disables blackout on gobo wheel move.

1. Highlight **BL.O.Gobo Move**, press <ENTER>.
2. Select **YES** (blackout while gobo wheel is moving) or **NO** (disable blackout while gobo wheel is moving), press <ENTER>.

### Lamp Controls

This programming level allows the user to change a range of options that control the action of the lamp.

- Starting from the **Setup** screen level, select **Lamp Settings**, press <ENTER>.

### Lamp Settings

This option turns the lamp on and off.

1. Highlight **On/Off**, press <ENTER>.
2. Select **ON** or **OFF**, press <ENTER>.



- **Do not turn product on without a lamp!**
- **ALWAYS turn the lamp off by using the DMX controller or the product's control panel, then wait at least 5 minutes before switching off the product. This will keep the fans running to extract any remaining heat from the product's head.**
- **DO NOT power cycle the product unless it is necessary.**
- **DO NOT re-strike the lamp immediately after turning it off. Chauvet recommends waiting 5 minutes before trying to re-strike the lamp.**

### Lamp State

This option determines whether the lamp turns on automatically when the product is powered up.

1. Highlight **State/Power on**, press <ENTER>.
2. Select **ON** or **OFF**, press <ENTER>.

### Remote Turn Off

This option allows a connected DMX controller to turn the lamp on/off via the control channel.

1. Highlight **Off via DMX**, press <ENTER>.
2. Select **YES** or **NO**, press <ENTER>.

### Lamp On if DMX Present

This option determines whether the lamp turns on automatically when a DMX signal is detected.

1. Highlight **On if DMX On**, press <ENTER>.
2. Select **YES** or **NO**, press <ENTER>.

### Lamp Off if DMX Absent

This option determines whether the lamp turns off automatically when a DMX signal is lost.

1. Highlight **Off if DMX Off**, press <ENTER>.
2. Select **YES** or **NO**, press <ENTER>.

### Lamp Strike/ignition Delay

This option sets the duration of time (seconds) it takes for the lamp to turn on when powering up the product.

1. Highlight **Ignition Delay**, press <ENTER>.
2. Select **0-255**, press <ENTER>.

### Lamp Low Power State

This attribute puts the lamp into a low power state when the shutters are closed, helping to increase the life of the shutters. This option allows the user to adjust how long from the instant the shutters are closed to the time the lamp enters the low power state.

1. Highlight **Low Power Delay**, press **<ENTER>**.
2. Select **0–255**, press **<ENTER>**.

### Lamp Timer

This procedure resets the lamp maintenance timer to **0**. It is recommended that this be done after every lamp change.

1. Highlight **Reset Lamp Time**, press **<ENTER>**.
2. Select **YES** (resets lamp timer to 0) or **NO** (leaves lamp time unchanged), press **<ENTER>**.

### Maintenance Timer

This programming level allows the user to change a range of options that control the action of the maintenance timer.

- Starting from the **Setup** screen level, select **Maintenance Timer**, press **<ENTER>**.

### Maintenance Timer Interval

This option defines the amount of time (hours) that the maintenance timer will count down to.

1. Highlight **Interval Time**, press **<ENTER>**.
2. Select **000–250**, press **<ENTER>**.

### Maintenance Timer Reset

This procedure resets the lamp maintenance timer to **0**. It is recommended that this be done after every lamp change.

1. Highlight **Remain Time**, press **<ENTER>**.
2. Select **NO** (leaves lamp maintenance timer as it is) or **RESET** (resets the amount of time remaining in the maintenance cycle), press **<ENTER>**.

### Reset Function

This programming level allows the user to reset individual functions to the home position.

- Starting from the **Setup** screen level, select **Reset Function**, press **<ENTER>**.

### Pan/Tilt Reset

This option resets the pan/tilt functions to the home position.

1. Highlight **Pan/Tilt**, press **<ENTER>**.
2. Select **YES** or **NO**, press **<ENTER>**.

### Shutter/Prism Reset

This option resets the shutter/prism functions to the home position.

1. Highlight **Shutter/Prism**, press **<ENTER>**.
2. Select **YES** or **NO**, press **<ENTER>**.

### Color Reset

This option resets the color functions to the home position.

1. Highlight **Color**, press **<ENTER>**.
2. Select **YES** or **NO**, press **<ENTER>**.

### Gobo Reset

This option resets the gobo functions to the home position.

1. Highlight **Gobo**, press **<ENTER>**.
2. Select **YES** or **NO**, press **<ENTER>**.

### Frost/Focus Reset

This option resets the frost/focus functions to the home position.

1. Highlight **Frost/Focus**, press **<ENTER>**.
2. Select **YES** or **NO**, press **<ENTER>**.

### All Reset

This option resets the all the functions to the home position.

1. Highlight **All**, press **<ENTER>**.
2. Select **YES** or **NO**, press **<ENTER>**.



## Operation

---

### Factory Reset Function

This resets the product back to its original factory settings.

1. Starting from the **Setup** screen level, select **Factory Settings**, press **<ENTER>**.
2. Select **YES** or **NO**, press **<ENTER>**.

### System Information

This programming level shows standard information regarding the product's operating status. Starting from the Main Level screen, select **Sys Info**, press **<ENTER>**.

- **Disp Ver:** The current software version is displayed on the screen.
- **Running Mode:** The current running mode is displayed on the screen.
- **DMX Address:** The current DMX address is displayed on the screen.
- **Temperature:** The current product temperature is displayed on the screen.
- **Lamp OnTime:** Amount of time the lamp has been on.
- **Remain Time:** The current lamp maintenance time is displayed on the screen.
- **UID:** The product's UID is displayed on the screen.
- **Fan1Speed:** The product's fan speed is displayed on the screen.
- **Fan2Speed:** The product's fan speed is displayed on the screen.

## 5. Maintenance

### Product Maintenance

To maintain optimum performance and minimize wear, clean this product frequently. Usage and environment are contributing factors in determining the cleaning frequency.

Clean this product at least twice a month. Dust build-up reduces light output performance and can cause overheating. This can lead to reduced light source life and increased mechanical wear.

To clean the product:

1. Unplug the product from power.
2. Wait until the product is at room temperature.
3. Use a vacuum (or dry compressed air) and a soft brush to remove dust collected on the external vents.
4. Clean all transparent surfaces with a mild soap solution, ammonia-free glass cleaner, or isopropyl alcohol.
5. Apply the solution directly to a soft, lint-free cotton cloth or a lens-cleaning tissue.
6. Softly drag any dirt or grime to the outside of the transparent surface.
7. Gently polish the transparent surfaces until they are free of haze and lint.



**Always dry the transparent surfaces carefully after cleaning them.**



**Do not spin the cooling fans while blowing compressed air into them.**

### Torque Measurements

To maintain the IP rating when reassembling the product, use the given torque measurements for each of the following screws and bolts:

- Screws inside feet - 15.2 Kgf.cm, 13.2 lgb.in
- Base screws around outside (not the feet) - 16.3 Kgf.cm, 14.1 lgb.in
- Base screws in middle - 35.7 Kgf.cm, 31 lgb.in
- Omega bracket holder- 12.2 Kgf.cm, 10.6 lgb.in
- Screws around display- 9.1 Kgf.cm, 8 lgb.in
- Screws around power and data ports- 3.5 Kgf.cm, 3 lgb.in
- Fuse- 7.1 Kgf.cm, 6.1 lgb.in
- Center of yoke plate- 15.2 Kgf.cm, 13.2 lgb.in
- Lamp housing- 18.3 Kgf.cm, 16 lgb.in
- Arm cover screws- 18.3 Kgf.cm, 16 lgb.in
- Allen Key screws for lens ring - - 18.3 Kgf.cm, 16 lgb.in
- Allen Key screws holding in front lens cover- 18.3 Kgf.cm, 16 lgb.in
- Allen Key screws head covers- 18.3 Kgf.cm, 16 lgb.in
- 

### Vacuum Test Measurements

To ensure that the product has been reassembled correctly, use the IP Tester from Chauvet Professional to check the following data has the given measurements for the given method:

- Method: Positive
- Test Pressure (kPa): 2.18
- Test Duration (seconds): 60
- PASS State leak pressure (kPa): <0.02

## Technical Specifications

### 6. Technical Specifications

#### Dimensions and Weight

Length	Width	Height	Weight
14.41 in (366 mm)	9.61 in (244mm)	22.6 in (574 mm)	45.19 lb (20.5 kg)

**Note:** Dimensions in inches rounded to the nearest hundredth.

#### Power

Power Supply Type	Range	Voltage Selection
Switching (internal)	100 to 240 VAC, 50/60 Hz	Auto-ranging

Parameter	100 V, 60 Hz	120 V, 60 Hz	208 V, 60 Hz	230 V, 50 Hz	240 V, 50 Hz
Consumption	408 W	413 W	403 W	404 W	403 W
Operating current	4.21 A	3.51 A	2.01 A	1.82 A	1.76 A
Fuse	T 8 A, 250 V	T 8 A, 250 V	T 8 A, 250 V	T 8 A, 250 V	T 8 A, 250 V

Power I/O	U.S./Canada	Worldwide
Power input connector	Seetronic Powerkon IP65 power cord	Seetronic Powerkon IP65 power cord
Power output connector	Seetronic Powerkon IP65 power cord	Seetronic Powerkon IP65 power cord
Power cord plug	Edison (U.S.)	Local plug

#### Light Source

Type	Power	Lifespan
USHIO NSL	300 W	8,000 hours

#### Photometrics

Beam Angle	Field Angle	Cutoff Angle	Illuminance @ 15 m
0.8°	1.6°	2°	204,855 lux

#### Thermal

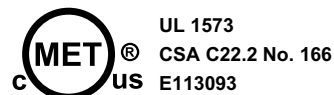
Maximum External Temperature	Cooling System
113 °F (45 °C)	Convection

#### DMX

I/O Connector	Channel Range
5-pin XLR	16 or 18

#### Ordering

Product Name	Item Code	UPC Number
Rogue Outcast 2 Beam	08011973	781462223212



RoHS



## Contact Us

General Information	Technical Support
<b>Chauvet World Headquarters</b>	
Address: 3360 Davie Rd. Davie, FL 33314 Voice: (954) 577-4455 Fax: (954) 929-5560 Toll Free: (800) 762-1084	Voice: (844) 393-7575 Fax: (954) 756-8015 Email: <a href="mailto:chauvetcs@chauvetlighting.com">chauvetcs@chauvetlighting.com</a>  Website: <a href="http://www.chauvetdj.com">www.chauvetdj.com</a>
<b>Chauvet U.K.</b>	
Address: Pod 1 EVO Park Little Oak Drive, Sherwood Park Nottinghamshire, NG15 0EB UK Voice: +44 (0) 1773 511115 Fax: +44 (0) 1773 511110	Email: <a href="mailto:UKtech@chauvetlighting.eu">UKtech@chauvetlighting.eu</a>  Website: <a href="http://www.chauvetdj.eu">www.chauvetdj.eu</a>
<b>Chauvet Benelux</b>	
Address: Stokstraat 18 9770 Kruishoutem Belgium Voice: +32 9 388 93 97	Email: <a href="mailto:BNLtech@chauvetlighting.eu">BNLtech@chauvetlighting.eu</a>  Website: <a href="http://www.chauvetdj.eu">www.chauvetdj.eu</a>
<b>Chauvet France</b>	
Address: 3, Rue Ampère 91380 Chilly-Mazarin France Voice: +33 1 78 85 33 59	Email: <a href="mailto:FRtech@chauvetlighting.fr">FRtech@chauvetlighting.fr</a>  Website: <a href="http://www.chauvetdj.eu">www.chauvetdj.eu</a>
<b>Chauvet Germany</b>	
Address: Bruno-Bürgel-Str. 11 28759 Bremen Germany Voice: +49 421 62 60 20	Email: <a href="mailto:DEtech@chauvetlighting.de">DEtech@chauvetlighting.de</a>  Website: <a href="http://www.chauvetdj.eu">www.chauvetdj.eu</a>
<b>Chauvet Mexico</b>	
Address: Av. de las Partidas 34 - 3B (Entrance by Calle 2) Zona Industrial Lerma Lerma, Edo. de México, CP 52000 Voice: +52 (728) 690-2010	Email: <a href="mailto:servicio@chauvet.com.mx">servicio@chauvet.com.mx</a>  Website: <a href="http://www.chauvetdj.mx">www.chauvetdj.mx</a>

## Warranty & Returns

For warranty terms and conditions and return information, please visit our website.

For customers in the United States and Mexico: [www.chauvetlighting.com/warranty-registration](http://www.chauvetlighting.com/warranty-registration).

For customers in the United Kingdom, Republic of Ireland, Belgium, the Netherlands, Luxembourg, France, and Germany: [www.chauvetlighting.eu/warranty-registration](http://www.chauvetlighting.eu/warranty-registration).